

Anti-theft for tablets & smartphones

What is GRIPZO?

What is GRIPZO?

- Mechanical anti-theft fixtures for smartphones & tablets
- No electronics
- No cables
- No (false) alarms

What does it looks like?

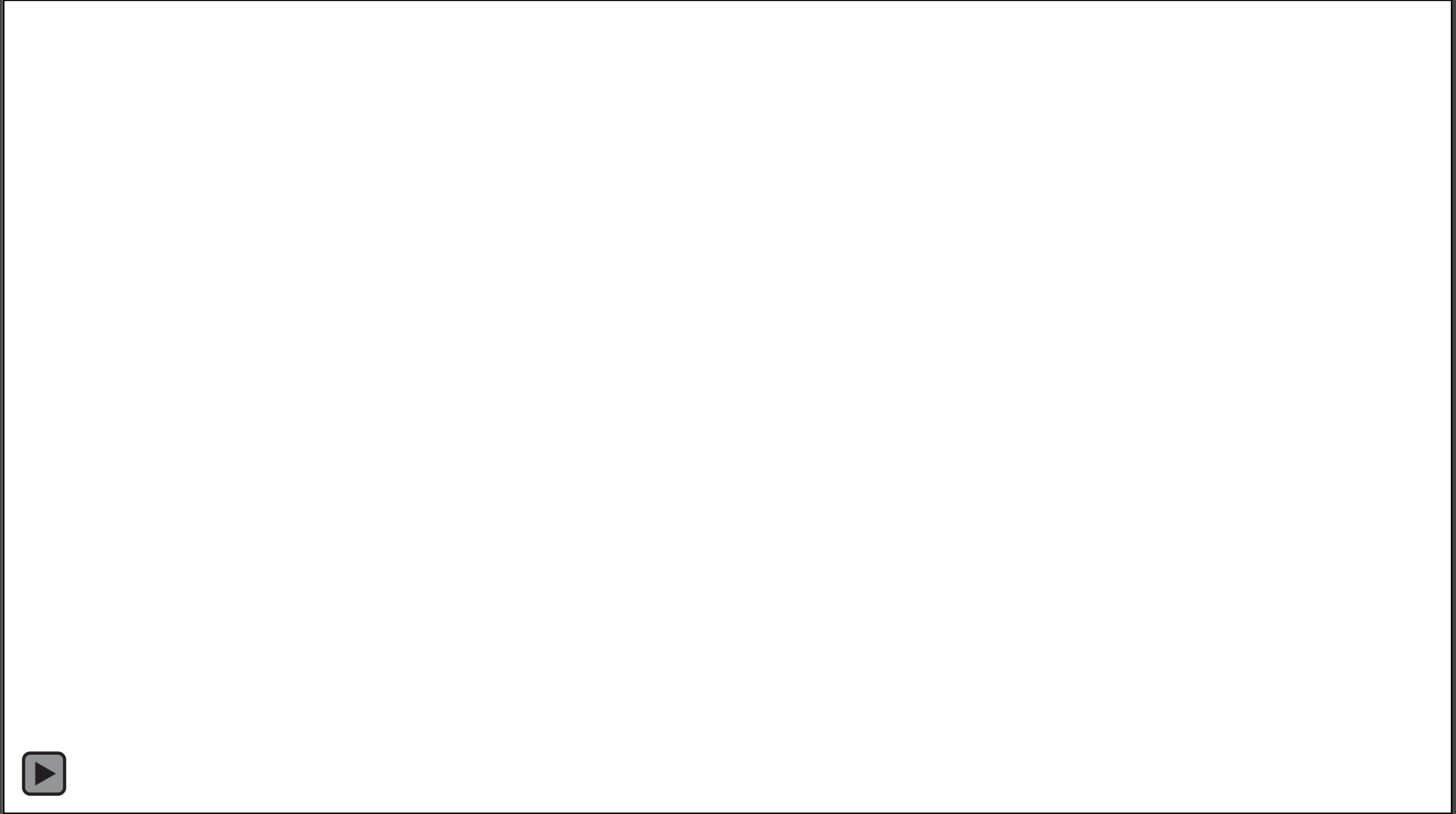
What does it look like?

- watch it on You Tube

https://www.youtube.com/channel/UCA_gkVpbFqNUZTJoHSPiekw

Why GRIPZO?

Why GRIPZO?



Why GRIPZO continued...

Why GRIPZO continued...



Why GRIPZO continued...

- Theft is everywhere
- Cut & run is an upcoming trend
- Gripzo is a deterrent to thieves

For whom?

For Whom?

- Retailers with electronics on display
- Tablets used for POS – Point Of Sale
- Hospitality, hotels, enterprises
- Offices, Restaurants, Bars
- Exhibitions / AV Rental companies

Telco's

GRIPZO

ENGINEERED FOR ZERO THEFT



Telco's

GRIPZO
ENGINEERED FOR ZERO THEFT





© Photographer - Vincent McMonagle

Telco's

GRIPZO
ENGINEERED FOR ZERO THEFT



Electronic stores



Hoofdstuk Titel Vervolg



Gripzo.com



Pedestal



100%
LOCK-DOWN &
QUICK RELEASE
100%



GRIPZO
SALES BOOSTING SECURITY
Gripzo.com
protected by patent

Gripzo.com

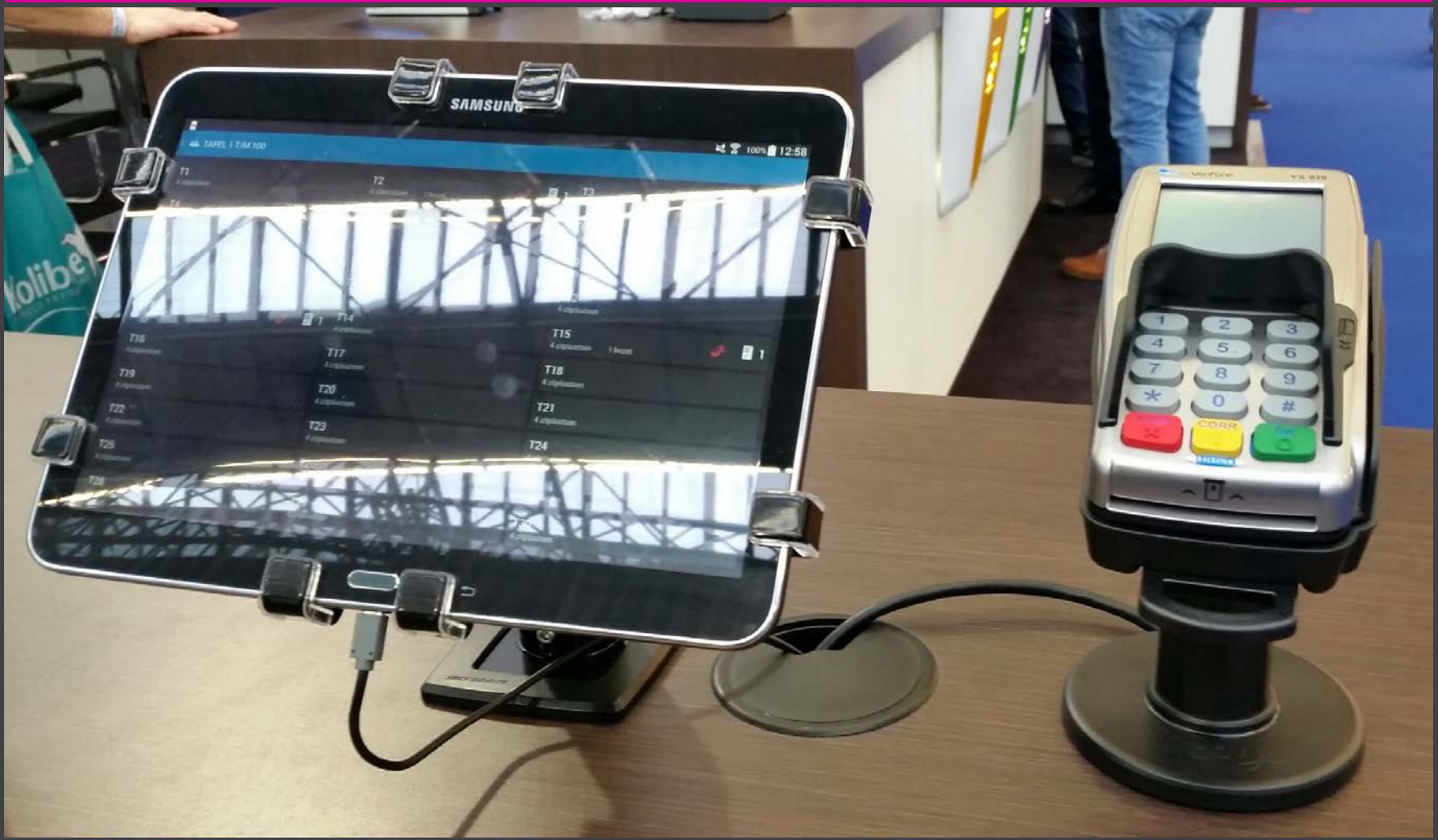
at work



GRiPZO
SALES BOOSTING SECURITY

Gripzo.com
protected by patent

Point of Sale



USP' s

- Quick Lock down & Quick release
- 1 size fits all devices
- Gripzo stops THEFT

Bottom line

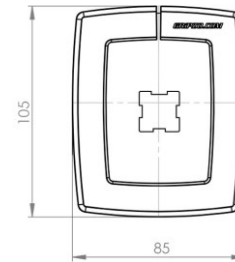
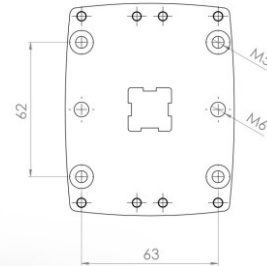
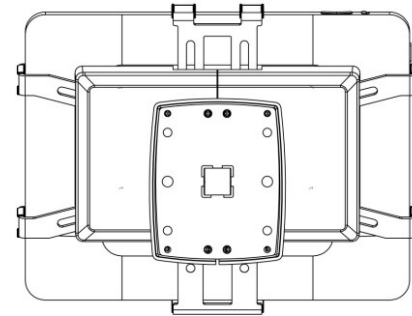
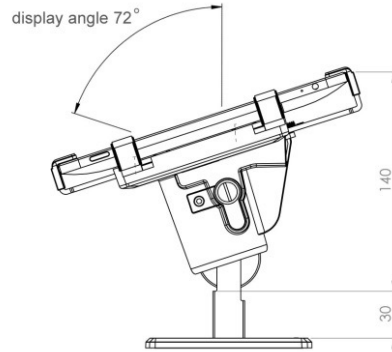
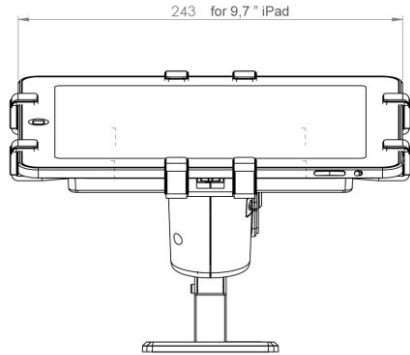
Bottom line

- No electronics, no cables, no sensors, no adhesives
- No false alarms
- NO HASSLE!
- Gripzo keeps mobile devices safe & mobile!

Bottom line

GRIPZO
ENGINEERED FOR ZERO THEFT





pole 20 x 20 mm
foot 105 x 85 mm (L x W)

GRIPZO
SALES BOOSTING SECURITY

Gripzo.com
protected by patent

Bottom line

GRIPZO
ENGINEERED FOR ZERO THEFT

Gripzo.com



LOCK-DOWN &
QUICK RELEASE

GRIPZO
ZERO THEFTING SOLUTION
Gripzo.com
© 2014 Gripzo Inc.



Engineered for zero theft

Thank you!
www.gripzo.com